


3 way ball valve S4 Solar Electric actuator EO510 ECO



Pressure connection 

General:

- Material: PVC-U
- Sealing materials: EPDM
- Ball seating joint: PTFE / Tpe
- Ball T-bore
- Dimensions

| | |
|------|-------------------------|
| DN32 | (DN40 / d40 / d 1 1/4") |
| DN40 | d50 / d1 1/2" |
| DN50 | d63 / d2" |
- Voltages: 230V AC

Connector types

- Solvent socket PVC DIN / ASTM
- Threaded socket PVC BSP

Operating pressure:

DN32 d40 1 1/4" – DN50 d63 2" PN3

Technical features:

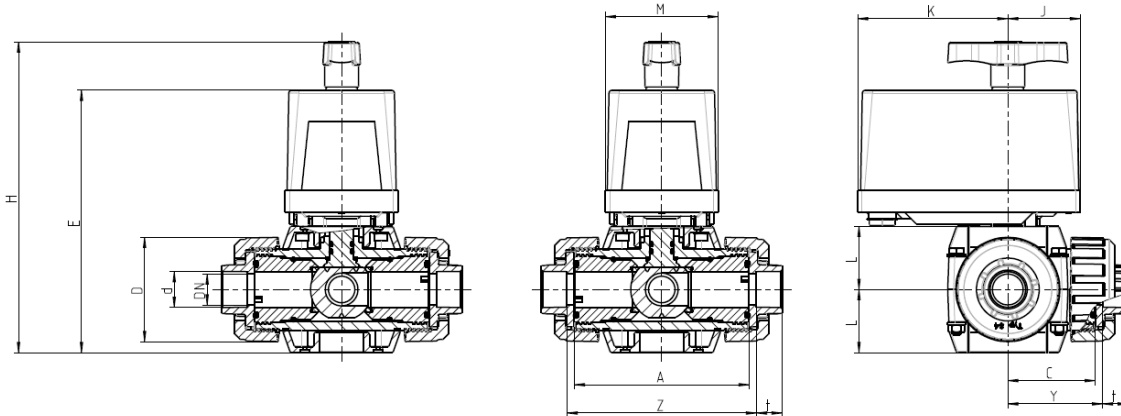
- Manual override with visual position indicator
- 4 possible travel stops
- Position feedback possible
- Pressure connection see symbol photo
- Only for solar applications
- Not completely tight because of compensation holes
- Protection class IP65

This document does not constitute a guarantee, it is for initial information purposes only. The product range is continually upgraded, the designs and types therefore only reflect the state of the art at the time of printing. Subject to technical modifications!

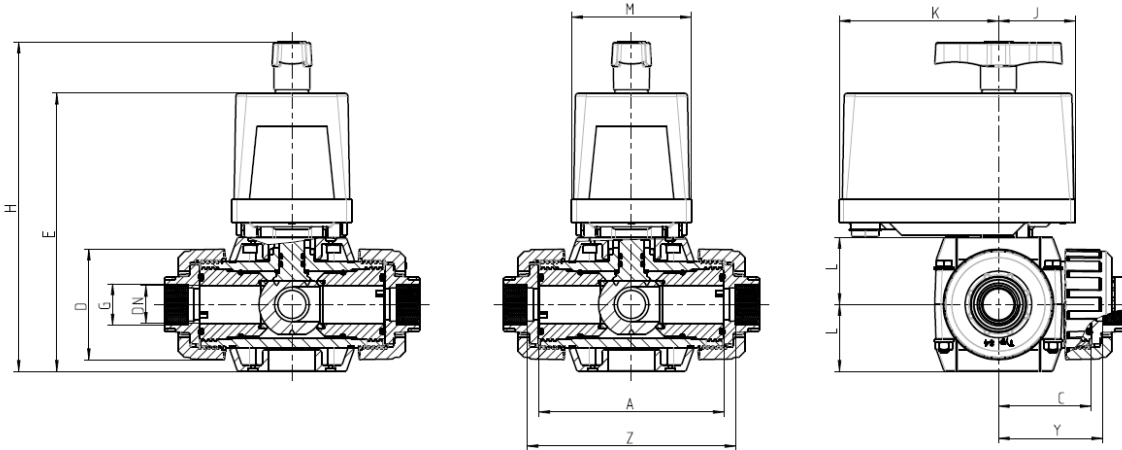
3 way ball valve S4 Solar Electric actuator EO510 ECO

Dimensions:

BV-PVC-U solvent socket:



BV-PVC-U threaded socket:



PVC-U

Connector types

PVC solvent socket / threaded socket

| | | DN | 32 | 40 | 50 |
|------------------|--|-----|--------|--------|-------|
| | | d | 40 | 50 | 63 |
| ball valve PVC-U | G _{Tso} ¹ | | 1 1/4" | 1 1/2" | 2" |
| | A | | 162 | 162 | 181 |
| | C | | 81 | 81 | 90,5 |
| | D | | 101 | 101 | 124,5 |
| | t _{SSO} ² | | 27,5 | 31,5 | 38,5 |
| | Y _{Tso} ¹ / sso ² | | 85 | 85 | 96 |
| | Z _{Tso} ¹ / sso ² | | 170 | 171 | 192 |
| | | bar | 3 | 3 | 3 |
| actuator | E | | 205 | 205 | 221 |
| | H | | 238 | 238 | 254 |
| | L | | 56 | 56 | 65 |
| | M | | 77 | 77 | 77 |
| | J | | 49,5 | 49,5 | 49,5 |
| | K | | 102,5 | 102,5 | 102,5 |

¹ TSO = threaded socket

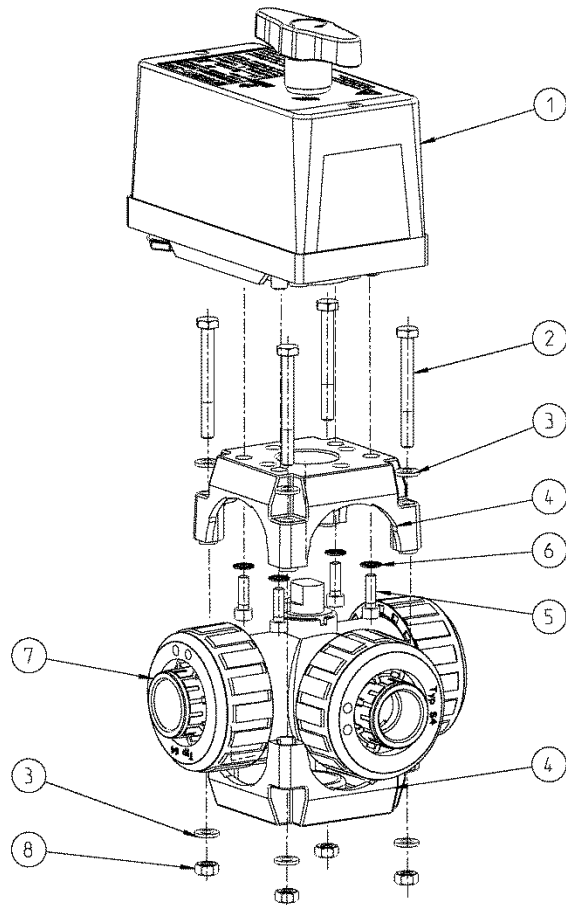
dimensions in mm
² SSO = solvent socket

3 way ball valve S4 Solar Electric actuator EO510 ECO



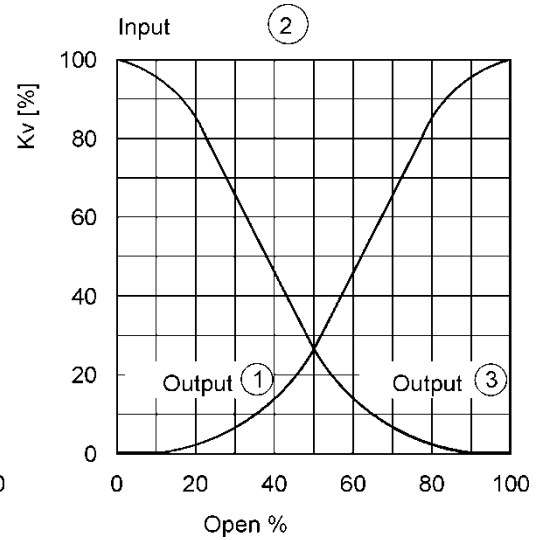
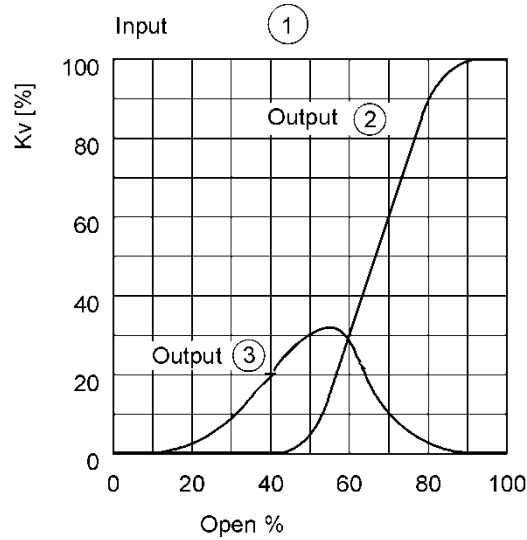
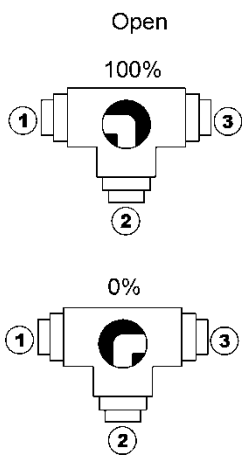
Exploded drawing:

- 1. EO510 ECO
- 2. Screws
- 3. Washer
- 4. Bracket
- 5. Screws
- 6. Tooth wheel
- 7. 3 way ball valve S4
- 8. Nut



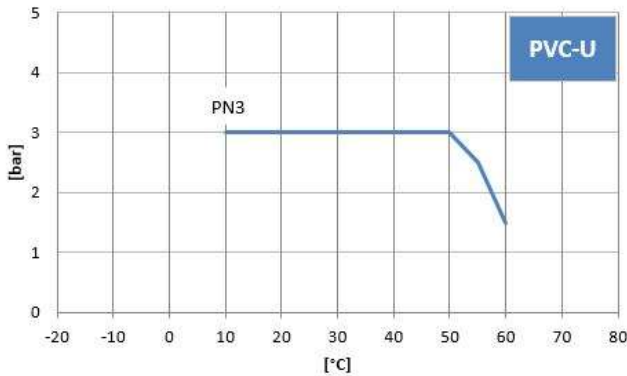
Diagrams:

Flow-Characteristic

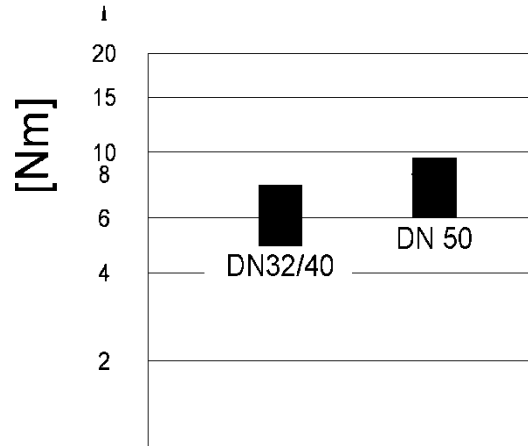


3 way ball valve S4 Solar Electric actuator EO510 ECO

Pressure-Temperature-Diagram – PVC-U



Torque



Technical data EO510 ECO:

| | EO510 ECO-230V |
|-----------------------|--|
| Voltages | 230V AC |
| Frequency range | 50 / 60 Hz |
| Power consumption | 4 Watt |
| Protection | IP65 |
| Operating time | 26 sec 90° |
| Rotation angle | 360° set to 90° 2 intermediate positions possible |
| Duty duration | 60% / max. 20 min |
| Electrical connection | cable gland |
| Nominal torque | 7 Nm |
| Peak torque | 9 Nm |
| Temperature | 0°C bis + 50°C |
| Body material | ABS |
| Position indicator | optically (manual override handle) |
| Manual override | integrated |

Electrical connection:

**3W KH „T”
EO510 ECO
Solar**

24V AC
230V AC
lt. Typenschild
type plate

